

Receiver

From

Company
Reference
Address
Phone
Fax
E-mail

Item n° : Customer pos. no.:

60118030

Model :

EUROSWIM 100 M

Pump data

Pressure rating : 2,467 atm
Min. fluid temperature : 0 °C
Max. fluid temperature : 60 °C
Max. Ambient temperature : 50 °C

Requested data

Flow :
Head :
Fluid : Water
Fluid Temperature : 20 °C
Density : 998,3 kg/m³
Kinematic viscosity : 1,005 mm²/s
Vapor pressure : 0,02 atm

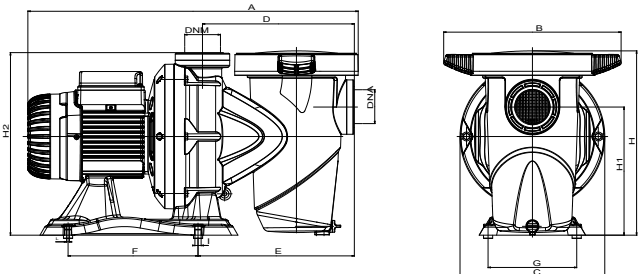
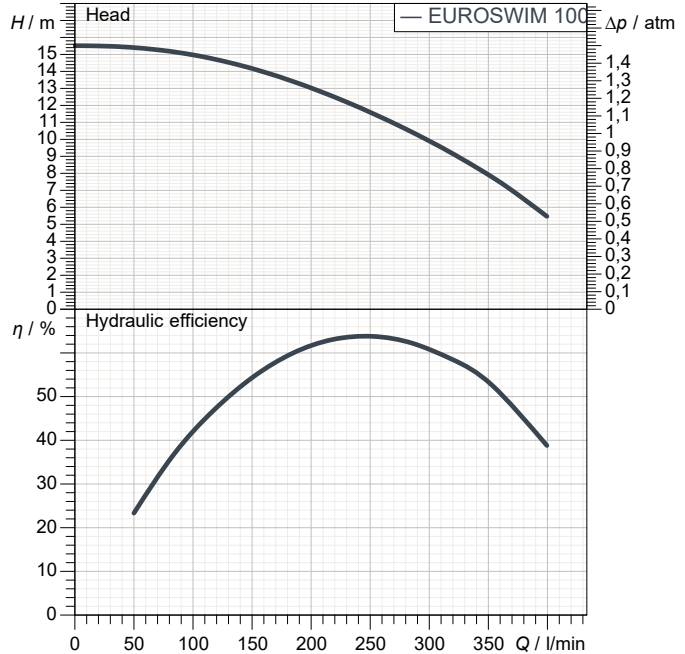
Hydraulic data (duty point)

Flow :
Head :

Materials

Pump body Reinforced technopolymer
Impeller Reinforced technopolymer
Diffuser Reinforced technopolymer
Filter Technopolymer
Mechanical seal Carbon/Alumina/NBR/AISI316
Filter cover Polycarbonate
O-ring NBR

Curve tolerance according to ISO 9906



Weight : 13,8 kg

Motor data

Motor brand : DAB
Nominal power P2 : 0,75 kW
Rated speed : 2.800 1/min
Rated voltage : 1~ 220-240 V 50 Hz
Nominal current : 6,3 A
Degree of protection : IP X5

Dimensions in mm

A	559	L	6,5
B	300		
C	245		
D	257		
DNA	G2"		
DNM	G2"		
E	265		
F	220		
G	150		
H	317		
H1	222		
H2	314		
I	11		

Pump connection

Suction side : 2" G / 2,467 atm
Discharge side : 2" G / 2,467 atm



PERFORMANCE CURVES

2023-10-2€

Page 2 / 3

DAB PUMPS S.p.A.
Via Marco Polo, 14 - 35035 Mestrino (PD), Italy
Tel. +39 049 5125000 - Fax +39 049 5125950
www.dabpumps.com

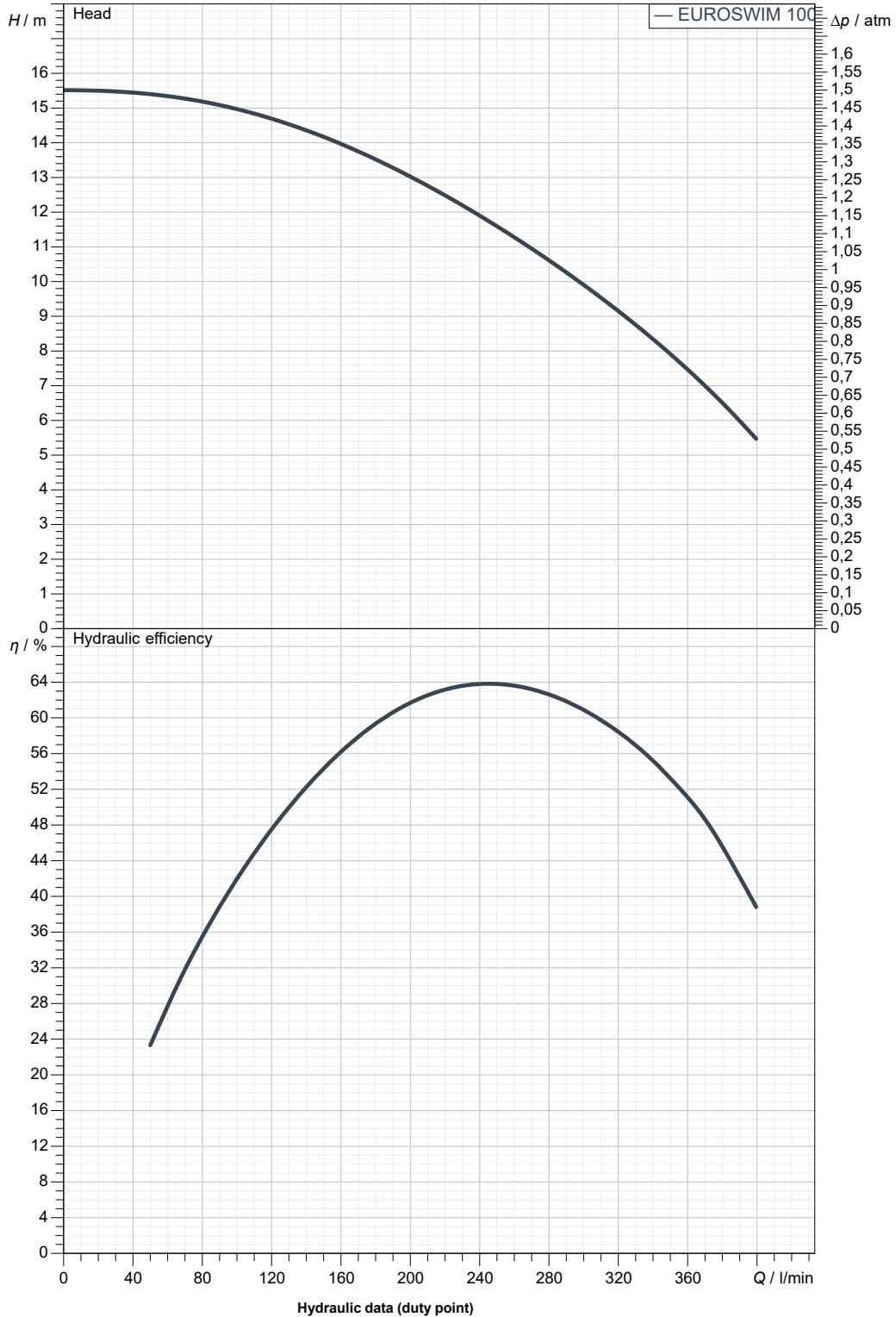
Receiver

From

Company
Reference
Address
Phone
Fax
E-mail

EUROSWIM 100 M

Curve tolerance according to ISO 9906



Suction side :
2" G
2,467 atm

Discharge side :
2" G
2,467 atm

Flow :

Head :

Rated speed :
2.800 1/min

MAIN_PROJECT_TITLE

BUSINESS_PROCESS_ID

OWNER_

ISSUE_DATE
2023-10-29



DIMENSIONAL DRAWING

2023-10-2€

Page 3 / 3

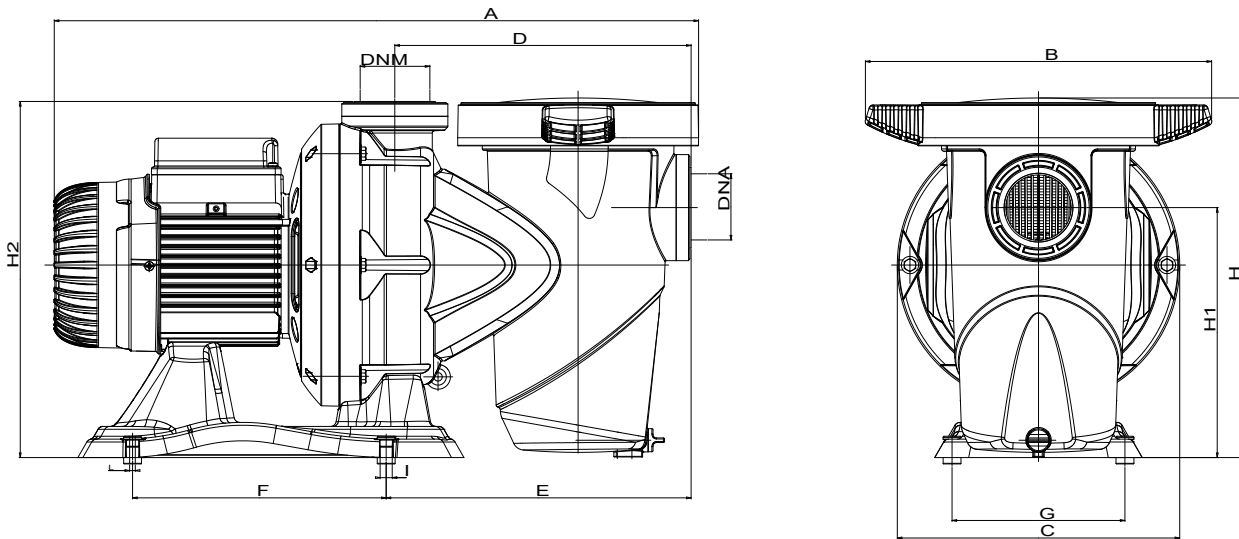
DAB PUMPS S.p.A.
Via Marco Polo, 14 - 35035 Mestrino (PD), Italy
Tel. +39 049 5125000 - Fax +39 049 5125950
www.dabpumps.com

Receiver

From

Company
Reference
Address
Phone
Fax
E-mail

EUROSWIM 100 M



Dimensions in mm						Pump connection	
1	A	559	H2	314		Suction	
2	B	300	I	11		2" G	
3	C	245	L	6,5		2,467 atm	
4	D	257				Discharge	
5	DNA	G2"				2" G	
6	DNM	G2"				2,467 atm	
7	E	265					
8	F	220					
9	G	150					
10	H	317					
11	H1	222					

MAIN_PROJECT_TITLE	BUSINESS_PROCESS_ID	OWNER_	ISSUE_DATE 2023-10-29
--------------------	---------------------	--------	--------------------------